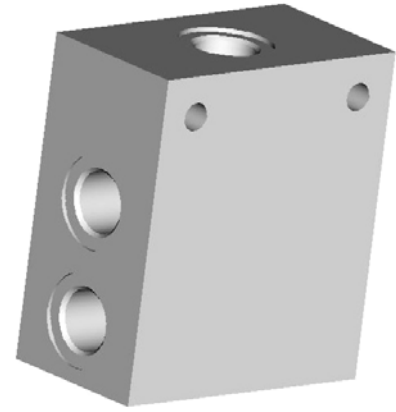


- Pipeline housing for cartridge valves
- Installation dimensions to ISO 4401 and SAE
- Materials available are aluminum and steel



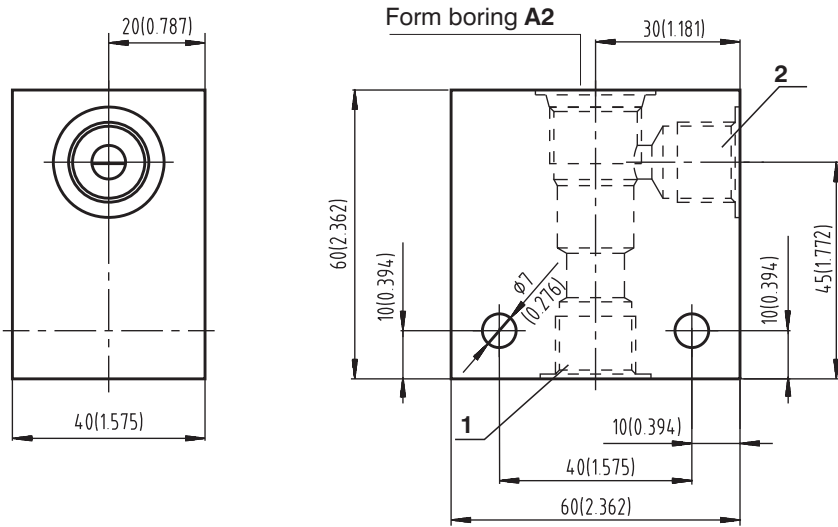
**Ordering Code**

	<b>SB-</b> <span style="border: 1px solid black; display: inline-block; width: 20px; height: 20px; vertical-align: middle;"></span>	-	<span style="border: 1px solid black; display: inline-block; width: 20px; height: 20px; vertical-align: middle;"></span>	-	<span style="border: 1px solid black; display: inline-block; width: 20px; height: 20px; vertical-align: middle;"></span>	-	<span style="border: 1px solid black; display: inline-block; width: 20px; height: 20px; vertical-align: middle;"></span>	-	<span style="border: 1px solid black; display: inline-block; width: 20px; height: 20px; vertical-align: middle;"></span>																		
<p><b>Screw in Cartridge, Body</b></p>																											
<p><b>Form boring</b> 3/4-16 UNF-2B 7/8-14 UNF-2B</p>	<div style="display: flex; justify-content: space-around; align-items: center;"> <span style="font-size: 24px; font-weight: bold;">A</span> <span style="font-size: 24px; font-weight: bold;">B</span> </div>																										
<p><b>Number of ways</b></p>	<div style="display: flex; justify-content: space-around; align-items: center;"> <span style="font-size: 24px; font-weight: bold;">2</span> <span style="font-size: 24px; font-weight: bold;">3</span> <span style="font-size: 24px; font-weight: bold;">4</span> </div>																										
<p><b>Body configuration</b></p>	<div style="display: flex; justify-content: space-around; align-items: center;"> <span style="font-size: 24px; font-weight: bold;">01</span> </div>																										
					<p><b>Body material</b> Aluminium Steel, Surface treatment Zn</p>																						
					<div style="display: flex; justify-content: space-between; align-items: center;"> <span style="font-size: 24px; font-weight: bold;">AL</span> <span style="font-size: 24px; font-weight: bold;">ST</span> </div>																						
					<p><b>Connecting size</b></p> <table border="0" style="width: 100%;"> <tr><td style="width: 10%; font-weight: bold;">01</td><td style="width: 70%;">G1/4</td><td style="width: 20%; text-align: right;">*</td></tr> <tr><td style="font-weight: bold;">02</td><td>SAE 6</td><td style="text-align: right;">*</td></tr> <tr><td style="font-weight: bold;">03</td><td>G3/8</td><td></td></tr> <tr><td style="font-weight: bold;">04</td><td>SAE 8</td><td></td></tr> <tr><td style="font-weight: bold;">05</td><td>G1/2</td><td style="text-align: right;">**</td></tr> <tr><td style="font-weight: bold;">06</td><td>SAE 10</td><td style="text-align: right;">**</td></tr> </table> <p style="font-size: 12px; margin-top: 5px;">* only for Form boring 3/4-16 UNF-2B **only for Form boring 7/8-14 UNF-2B</p>					01	G1/4	*	02	SAE 6	*	03	G3/8		04	SAE 8		05	G1/2	**	06	SAE 10	**
01	G1/4	*																									
02	SAE 6	*																									
03	G3/8																										
04	SAE 8																										
05	G1/2	**																									
06	SAE 10	**																									

# Form Boring - 3/4-16 UNF-2B

Dimensions millimeters (inches)

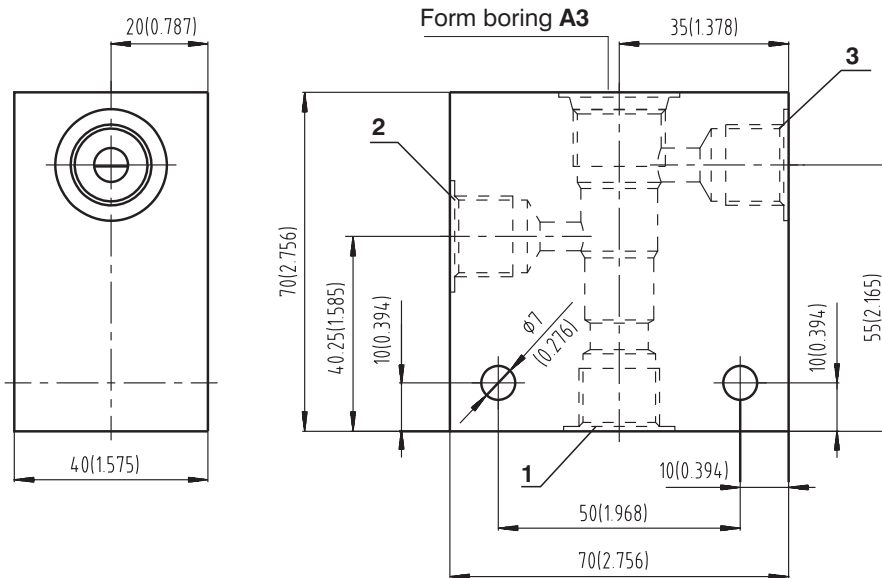
## Body for 2 Way SIC Valve



Connections	
1	2
G1/4, G3/8	
SAE 6, SAE 8	

Body material	Pressure	Weight
Aluminium	up to 250 bar (3626 PSI)	0,56 kg (1,23 lbs)
Steel	up to 420 bar (6091 PSI)	1,57 kg (3.46 lbs)

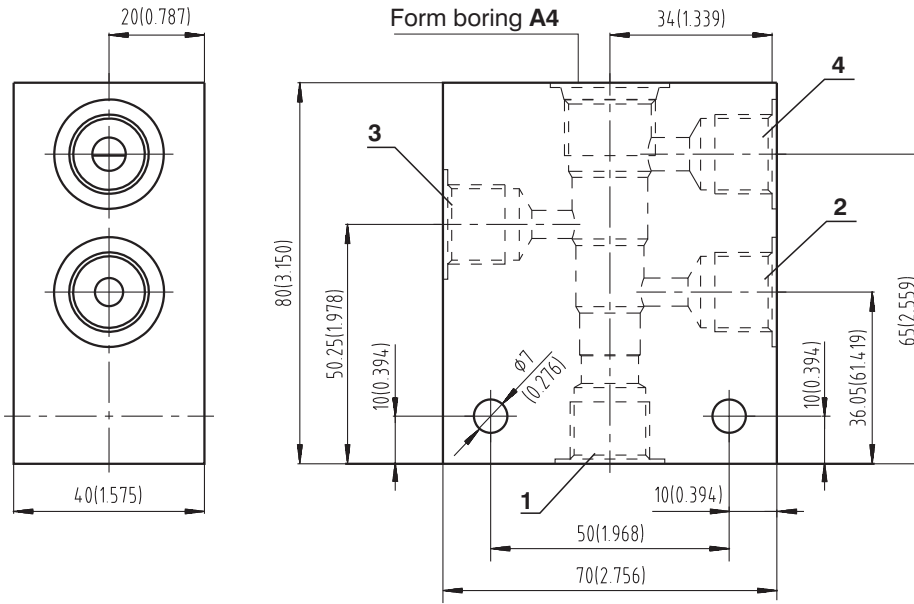
## Body for 3 Way SIC Valve



Connections		
1	2	3
G1/4, G3/8		
SAE 6, SAE 8		

Body material	Pressure	Weight
Aluminium	up to 250 bar (3626 PSI)	0,63 kg (1,39 lbs)
Steel	up to 420 bar (6091 PSI)	1,78 kg (3,92 lbs)

**Body for 4 Way SIC Valve**

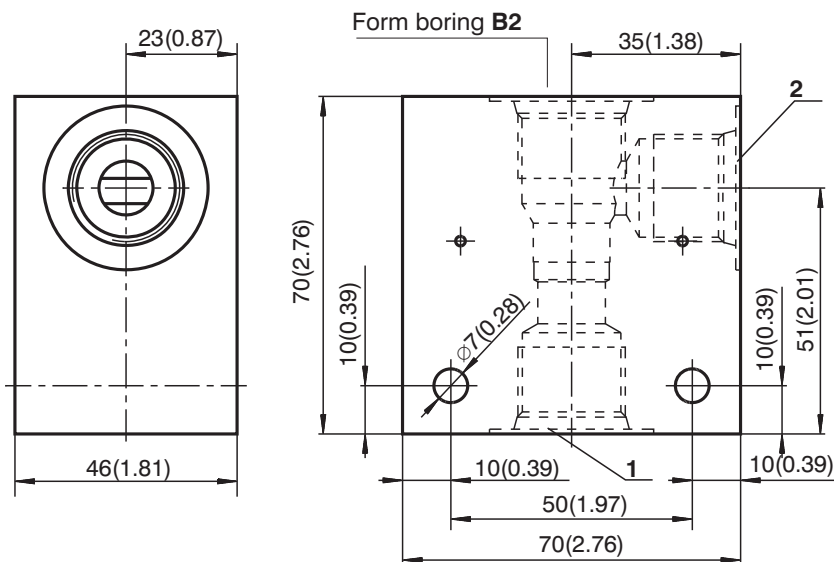


Connections			
1	2	3	4
G1/4, G3/8			
SAE 6, SAE 8			

Body material	Pressure	Weight
Aluminium	up to 250 bar (3626 PSI)	0,76 kg (1,68 lbs)
Steel	up to 420 bar (6091 PSI)	0,53 kg (4,72 lbs)

**Form Boring - 7/8-14 UNF-2B**

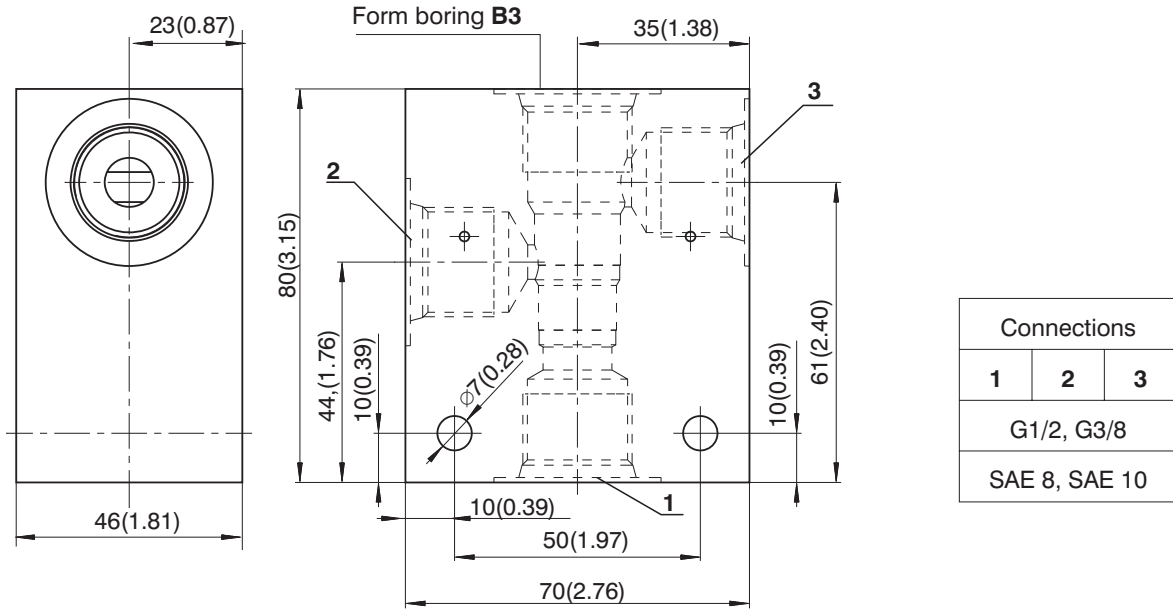
**Body for 3 Way SIC Valve**



Connections	
1	2
G1/2, G3/8	
SAE 8, SAE 10	

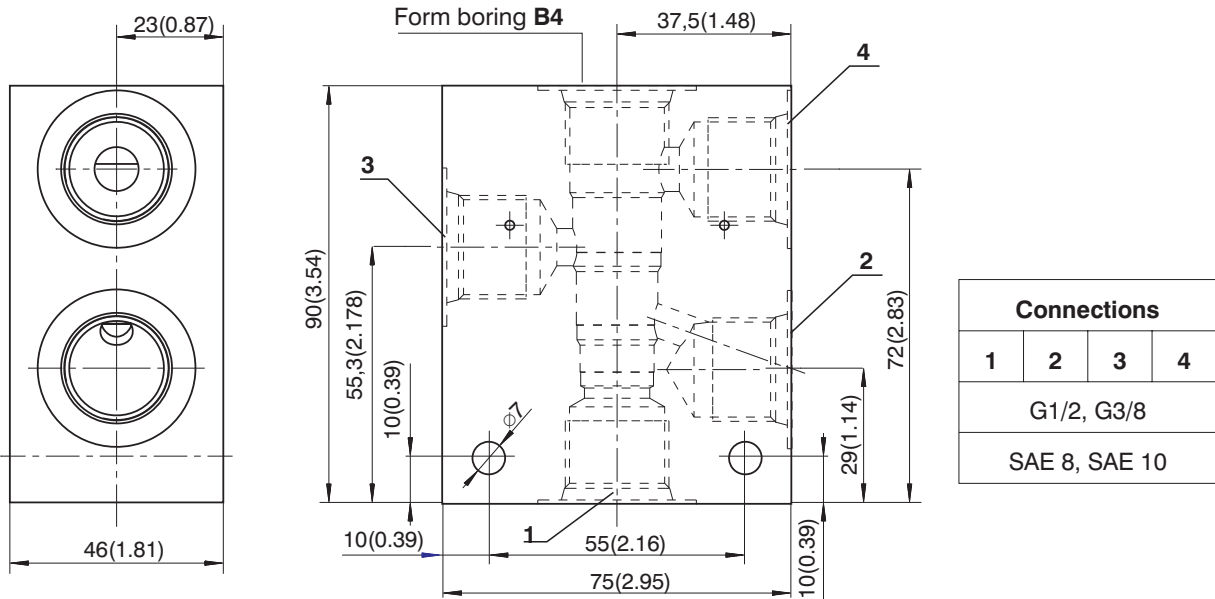
Body material	Pressure	Weight
Aluminium	up to 250 bar (3626 PSI)	0,54 kg ( 1,19 lbs)
Steel	up to 420 bar (6091 PSI)	1,50 kg ( 3.31 lbs)

**Body for 3 Way SIC Valve**



Body material	Pressure	Weight
Aluminium	up to 250 bar (3626 PSI)	0,60 kg (1,32 lbs)
Steel	up to 420 bar (6091 PSI)	1,68 kg ( 3,70 lbs)

**Body for 4 Way SIC Valve**



Body material	Pressure	Weight
Aluminium	up to 250 bar (3626 PSI)	0,71kg ( 1.57 lbs )
Steel	up to 420 bar (6091 PSI)	1,99 kg ( 4.39 lbs)

**Caution!**

- Recommended fixing bolts M6 x 55 DIN 912-10.9, bolt tightening torque 14+2 Nm (10.33+1.48 lbf.ft)
- The packing foil is recyclable.
- The technical information regarding the product presented in this catalogue is for descriptive purposes only. It should not be construed in any case as a guaranteed representation of the product properties in the sense of the law.

ARGO-HYTOS s.r.o. CZ - 543 15 Vrchlabí  
 Tel.: +420-499-403111, Fax: +420-499-403421  
 E-mail: sales.cz@argo-hytos.com  
 www.argo-hytos.com