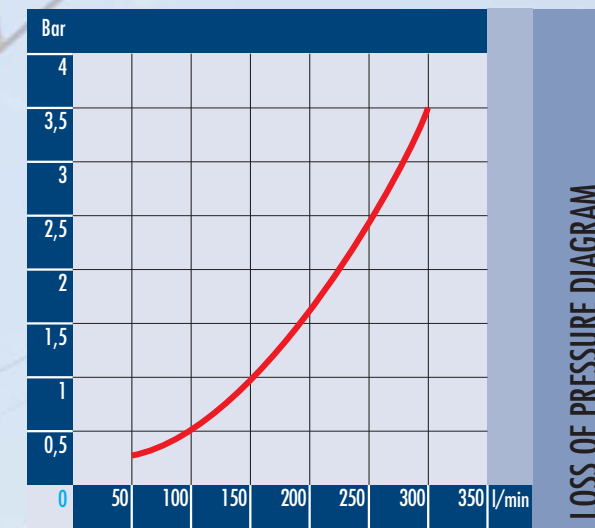
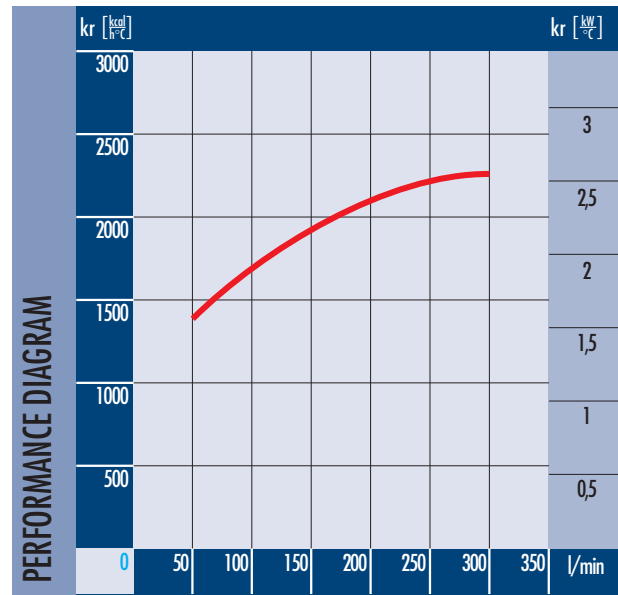


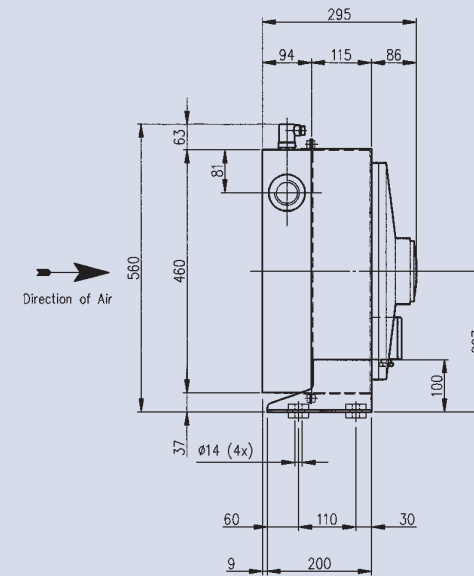
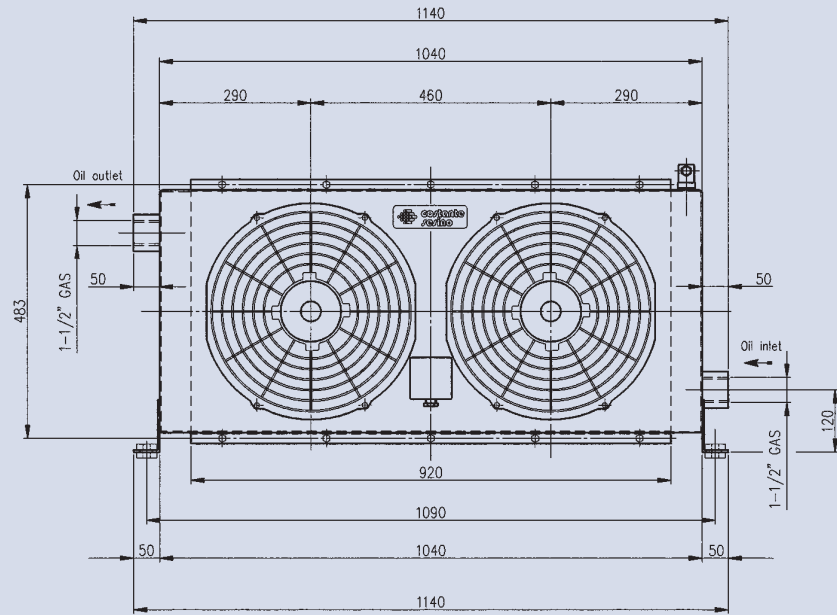
with direct current electric fan serie APL

APL 2/580

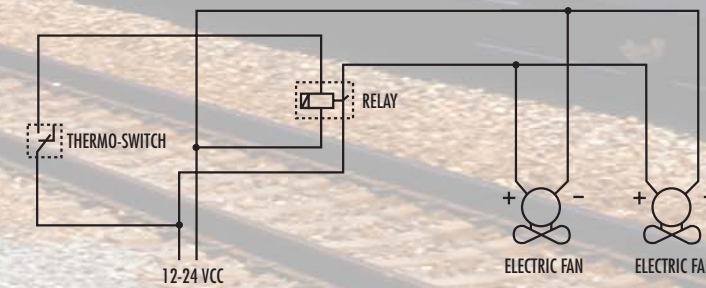


cSt	22	30	46	68	100	150	220
f	0,6	1	1,5	2,3	3,5	5	7

CORRECTION FACTOR



Dimensions and technical characteristics are not binding



Oil flow	Voltage	Power	Current	Air flow	Electric protection	Noise Level	Weight	Capacity
l/min	V	W	A	m ³ /h	IP	dB(A)	kg	lt.
50-350	12	480	40	5.800	68	88	60	23
	24	480	20	5.800				

TABLE